

TR 45

PressureJet

High Pressure Triplex Plunger Pump

Stainless Steel 304 & 304 L
Stainless Steel 316 & 316 L
Duplex Stainless Steel
Aluminum Bronze



Model	SPM	Flow (LPM)	Max. Rated Pressure-kg/cm ² (MOTOR-HP)			
TR-45-30 B	300	28.6	150(12.5)	115(10)	88(7.5)	58(5)
	350	33.0	150(15)	125(12.5)	100(10)	75(7.5)
	400	38.0	150(20)	130(15)	110(12.5)	88(10)
	450	43.0	150(20)	118(15)	98(12.5)	75(10)
	500	47.7	142(20)	105(15)	88(12.5)	70(10)
	615	58.7	145(25)	115(20)	85(15)	72(12.5)
	715	68.2	150(30)	123(25)	100(20)	75(15)

Model	SPM	Flow (LPM)	Max. Rated Pressure-kg/cm ² (MOTOR-HP)			
TR-45-35 B	300	38.9	110(12.5)	85(10)	65(7.5)	43(5)
	350	45.5	110(15)	93(12.5)	75(10)	55(7.5)
	400	52.0	110(20)	97(15)	81(12.5)	65(10)
	450	58.5	110(20)	85(15)	72(12.5)	58(10)
	500	64.9	105(20)	75(15)	65(12.5)	50(10)
	615	79.8	105(25)	85(20)	63(15)	53(12.5)
	715	92.8	110(30)	90(25)	72(20)	53(15)

TR 45

TR 45

Model	SPM	Flow (LPM)	Max. Rated Pressure-kg/cm ² (MOTOR-HP)			
TR-45-50 B	300	79.0	50(12.5)	42(10)	30(7.5)	20(5)
	350	93.0	50(15)	35(10)	25(7.5)	18(5)
	400	106.0	46(15)	40(12.5)	30(10)	22(7.5)
	450	119.0	50(20)	40(15)	35(12.5)	28(10)
	500	132.0	50(20)	38(15)	30(12.5)	25(10)
	615	162.0	50(25)	40(20)	30(15)	20(10)
	715	189.0	50(30)	44(25)	35(20)	20(12.5)

Model	SPM	Flow (LPM)	Max. Rated Pressure-kg/cm ² (MOTOR-HP)			
TR-45-40 B	300	50.0	80(12.5)	65(10)	45(7.5)	32(5)
	350	57.7	80(15)	70(12.5)	55(10)	42(7.5)
	400	66.0	75(15)	60(12.5)	55(10)	35(7.5)
	450	74.3	75(20)	65(15)	40(10)	33(7.5)
	500	82.5	80(20)	60(15)	50(12.5)	40(10)
	615	101.5	80(25)	65(20)	43(15)	37(12.5)
	715	115.5	80(30)	<u>68(25)</u>	55(20)	40(15)

TR 45

TR 45

➤ Applications

1. Reverse osmosis Systems
2. Hydrostatic testing
3. Boiler Feeding
4. Spraying Systems
5. Injection, High pressure cleaning
6. Transfer

➤ Accessories List



Cleaning accessories



Pressure regulating valve



Pulsation dampener



Pressure gauge



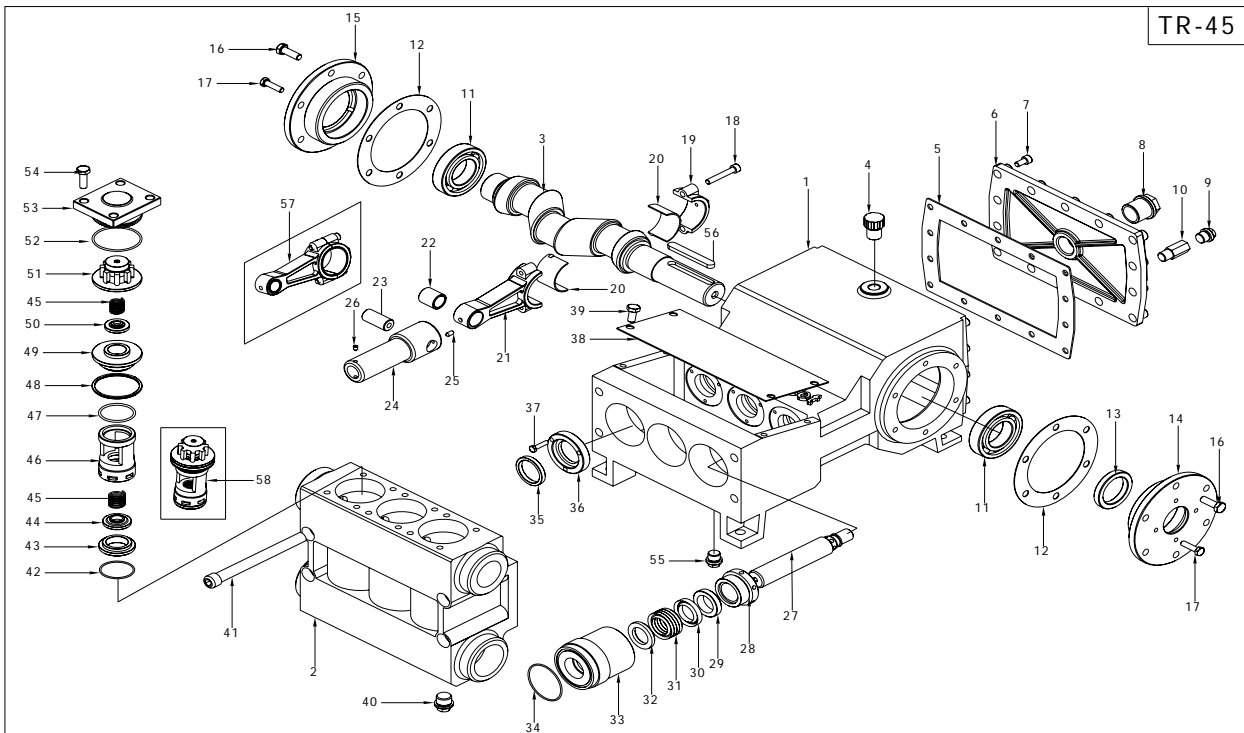
Strainer

TR 45

TR 45

➤ QUALITY MATERIALS

1. Gray iron casting crankcase means high strength and excellent tolerance control.
2. Oversized crankshaft bearings provide extended bearing life and pump performance..
3. Matched oversized high strength connecting rods are noted for superior strength and bearing quality.
4. Special stainless steel plunger rods with high strength crossheads for longevity and corrosion
5. Special concentric, high-density, polished, solid ceramic plungers provide a true wear surface and extended seal life.
6. Liquid End is a high strength Investment Casting stainless steel for long-term, continuous duty.
7. Stainless steel valves, seats and springs provide corrosion-resistance, ultimate seating and Special coating for extended life.



SPARE PARTS LIST OF (TR-45)

Item No.	Drq. No.	Description	Qty.
1	TR45MB	TR-45 MAIN BODY	1
2	TR45LE	TR-45 LIQUID END	1
3	TR45CS	TR-45 CRANK SHAFT	1
4	AVP12	TR-45 AIR VENT PLUG	1
5	GBP	TR-45 GASKET FOR BACK PLATE	1
6	TR45BP	TR-45 BACK PLATE	1
7	HTHM835	TR-45 BOLT M-8 X 35L	14
8	OLG1BSP	TR-45 OIL LEVEL GLASS	1
9	DP38BSP	TR-45 DRAIN PLUG	1
10	DN38BSP	TR-45 DRAIN NIPPLE	1
11	BR32209	TR-45 BEARING FOR CRANK SHAFT	2
12	GBC	TR-45 GASKET FOR BEARING COVER	2
13*	OSCS	TR-45 OIL SEAL FOR CRANK SHAFT	1
14	TR45BC1	TR-45 BEARING COVER -I	1
15	TR45BC2	TR-45 BEARING COVER-II	1
16	HTHM1030	TR-45 BOLT M-10 X 30L	12
17	HTHM815	TR-45 BOLT M-8 X 15L	8
18*	HTHM845	TR-45 BOLT M-8 X 45L	6
19*	TR45CR	TR-45 CONNECTION ROD CAP	3
20*	TR45WMB	TR-45 WHIGHT METAL BEARING	6
21*	TR45CR	TR-45 CONNECTING ROD END	3
22*	TR45BCR	TR-45 BUSH FOR CONNECTING ROD	3
23	TR45PP	TR-45 PISTON PIN	3
24	TR45PI	TR-45 PISTON	3
25	HTGSM610	TR-45 GRUB SCREW FOR PISTON PIN	6
26	GSM610	TR-45 GRUB SCREW FOR PLUNGER	6
27	TR45PL-25	TR-45 PLUNGER-25mm	3
	TR45PL-30	TR-45 PLUNGER-30mm	3
	TR45PL-35	TR-45 PLUNGER-35mm	3
	TR45PL-40	TR-45 PLUNGER-40mm	3
	TR45PL-45	TR-45 PLUNGER-45mm	3
	TR45PL-50	TR-45 PLUNGER-50mm	3
28	TR45SBN-25	TR-45 STUFFING BOX NUT-25mm	3
	TR45SBN-30	TR-45 STUFFING BOX NUT-30mm	3
	TR45SBN-35	TR-45 STUFFING BOX NUT-35mm	3
	TR45SBN-40	TR-45 STUFFING BOX NUT-40mm	3
	TR45SBN-45	TR-45 STUFFING BOX NUT-45mm	3
	TR45SBN-50	TR-45 STUFFING BOX NUT-50mm	3
29*	TR45SBG-25	TR-45 STUFFING BOX GLAND-25mm	3
	TR45SBG-30	TR-45 STUFFING BOX GLAND-30mm	3
	TR45SBG-35	TR-45 STUFFING BOX GLAND-35mm	3
	TR45SBG-40	TR-45 STUFFING BOX GLAND-40mm	3
	TR45SBG-45	TR-45 STUFFING BOX GLAND-45mm	3
	TR45SBG-50	TR-45 STUFFING BOX GLAND-50mm	3
30*	TR45OSR-25	TR-45 OUTER SUPPORT RING-25mm	3
	TR45OSR-30	TR-45 OUTER SUPPORT RING-30mm	3
	TR45OSR-35	TR-45 OUTER SUPPORT RING-35mm	3
	TR45OSR-40	TR-45 OUTER SUPPORT RING-40mm	3
	TR45OSR-45	TR-45 OUTER SUPPORT RING-45mm	3
	TR45OSR-50	TR-45 OUTER SUPPORT RING-50mm	3
31*	TR45GP-25	TR-45 GLAND PACKING-25mm	3 SET
	TR45GP-30	TR-45 GLAND PACKING-30mm	3 SET

	TR45GP-35	TR-45 GLAND PACKING-35mm	3 SET
	TR45GP-40	TR-45 GLAND PACKING-40mm	3 SET
	TR45GP-45	TR-45 GLAND PACKING-45mm	3 SET
	TR45GP-50	TR-45 GLAND PACKING-50mm	3 SET
32*	TR45ISR-25	TR-45 INNER SUPPORT RING-25mm	3
	TR45ISR-30	TR-45 INNER SUPPORT RING-30mm	3
	TR45ISR-35	TR-45 INNER SUPPORT RING-35mm	3
	TR45ISR-40	TR-45 INNER SUPPORT RING-40mm	3
	TR45ISR-45	TR-45 INNER SUPPORT RING-45mm	3
	TR45ISR-50	TR-45 INNER SUPPORT RING-50mm	3
33	TR45SB-25	TR-45 STUFFING BOX-25mm	3
	TR45SB-30	TR-45 STUFFING BOX-30mm	3
	TR45SB-35	TR-45 STUFFING BOX-35mm	3
	TR45SB-40	TR-45 STUFFING BOX-40mm	3
	TR45SB-45	TR-45 STUFFING BOX-45mm	3
	TR45SB-50	TR-45 STUFFING BOX-50mm	3
34*	OR6268	TR-45 O RING ID62 X OD68	3
35*	OSP	TR-45 OIL SEAL FOR PISTON	3
36	TR45OSC	TR-45 OIL SEAL COVER	3
37	HTHM630	TR-45 BOLT M-6 X 30L	9
38	TR45PLC	TR-45 PLUNGER COVER	1
39	HTHM1020	TR-45 BOLT M-10 X 20L	4
40	TR45LEP	TR-45 LIQUID END PLUG	3
41	HTCSM16160	TR-45 LIQUID END BOLT M-16 X 160L	4
42*	OR6268	TR-45 O RING ID62 X OD68	3
43*	TR45SVS	TR-45 SUCTION VALVE SEAT	3
44*	TR45SVP	TR-45 SUCTION VALVE PLATE	3
45*	TR45S&DS	TR-45 S & D SPRING	6
46	TR45SVG	TR-45 SUCTION VALVE GUIDE	3
47*	OR4450	TR-45 O RING ID44 X OD50	3
48	PGSK	TR-45 PTFE GASKET	3
49*	TR45DVS	TR-45 DISCHARGE VALVE SEAT	3
50*	TR45DVP	TR-45 DISCHARGE VALVE PLATE	3
51	TR45DVG	TR-45 DISCHARGE VALVE GUIDE	3
52*	OR6268	TR-45 O RING ID62 X OD68	3
53	TR45VH	TR-45 VALVE HOLDER	3
54	HTHN1035	TR-45 BOLT M-10 X 35L	12
55	DP38BSP	TR-45 DRAIN PLUG	1
56	TR45SK	TR-45 SHAFT KEY	1
57	TR45CRA	TR-45 CONNECTING ROD ASSE.	3
58	TR45VA	TR-45 NRV ASSE.	3

PressureJet Systems Pvt. Ltd.

62/13, Phase-1, G.I.D.C. Vatva, Ahmedabad – 382445

Phone: + 91 – 79 – 25830762 / 25893868, Fax : +91-79-25893868

E-Mail : sales@pressurejet.com • URL : www.pressurejet.com