

HIGH PRESSURE HYDRO BLASTING KD SERIES

2018

PAINT REMOVAL

SURFACE PREPARATION

CLEANING

SHIP HULL CLEANING

HYDRO BLASTING APPLICATIONS

Paint removal

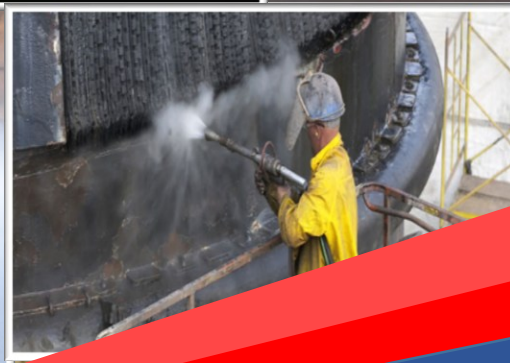
Concrete surface Vessel cleaning

Marine surface preparation

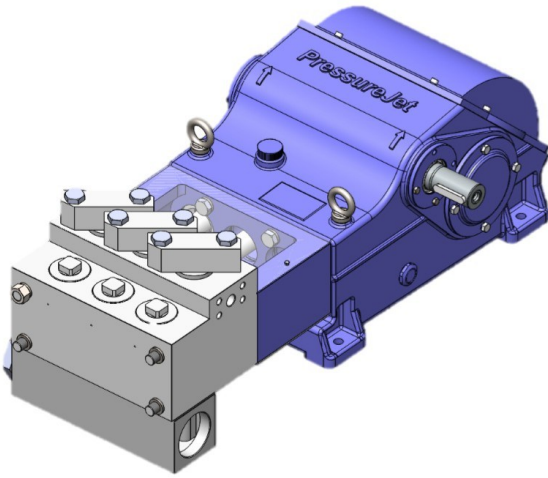
Chloride removal from concrete

Concrete surface Vessel cleaning

Kiln Cleaning



KD SERIES – KD 24, KD 26



- ✓ Field proven design.
- ✓ Forged S.S. pump head construction with high strength.
- ✓ KB Series designed with in-built gear.
- ✓ Splash lubrication. Force feed lubrication also available on request.
- ✓ Available in 3 versions.
- ✓ Rigorously subjected to full load testing.
- ✓ Manufactured on state-of-the-art machinery.
- ✓ Available direct couple 1750 RPM drives.
- ✓ Easy Field Maintenance.

Pump model	Flow (LPM)	Flow (GPM)	Pressure (Bar)	Pressure (PSI)	Motor H.P.	Engine H.P.
KD 24	62	16.4	655	9500	100	125
KD 26	73	19.3	560	8120	100	125
			670	9720	120	154

Note: - All pumps are suitable for 50 Hz and 60 Hz. Gear ratio will change as per Hz.

We manufacture wide range of hydro jetting machines for the pressure ranging from **250 bar to 1400 bar**. Please visit [Quick Selection Chart](#) of Hydro Blasting Machine.

Technical Details: -

Inlet connection (BSPF) – 2"

Outlet Connection (BSPF) – 1/2"

Working Fluid Temp. – 60 °C



Trolley Mounted Diesel Driven System



Base Frame Mounted System

HYDRO JETTING ACCESSORIES

SAFETY VALVE

Safety valve is a very important accessory. It **prevents major accidents** from occurring in case of problem arising out of high pressure built up in line. It is standard on all PressureJet Pumps for temporary relief of excess system pressure.

Safety Valve

- ✓ Provides over-pressure protection
- ✓ Ensures safety for operator
- ✓ Intentionally designed weak part to avoid major loss
- ✓ Pressure range up to **1400 bar - 20,000 PSI.**
- ✓ Flow rate range up to **80 LPM – 21.13 GPM.**



PRESSURE REGULATING VALVE

A **pressure regulating valve** is a control valve that regulates the output pressure of the pump. Regulators are used for gases and liquids, and can be an integral device with an output pressure setting, a restrictor and a sensor. These may all be in the one body, or consist of a separate pressure sensor, controller and flow valve.



Pressure Regulating Valve

- ✓ Regulates output pressure as required
- ✓ Bypasses excess water
- ✓ Pressure range up to **1400 bar - 20,000 PSI.**
- ✓ Flow rate range up to **80 LPM – 21.13 GPM.**

HIGH PRESSURE CLEANING NOZZLE-ROTATING

High Pressure Cleaning Nozzle (Rotating) are the industry standard for speed controlled rotary shot-gunning. Being so versatile and easy to maintain, Barracuda tools are also used on automated and hands-free equipment

High Pressure Cleaning Nozzle-Rotating (BARRACUDA)

- ✓ Highly effective and time saving than conventional
- ✓ International Standard
- ✓ With self-rotary tools, jet reaction creates rotation so there's no need for compressed air



LOW PRESSURE SUCTION & BYPASS HOSE

Low Pressure Suction & Bypass Hose use to connect water tank to pump inlet line. And also connect bypass water from PRV



Low Pressure Suction & Bypass Hose

- ✓ Suction hose to connect water tank to pump inlet line and bypass water from PRV
- ✓ Flexible type Rubber hose
- ✓ Available in various lengths as per requirement.

HIGH PRESSURE RIGID LANCE

In hydro jetting applications, a **high pressure rigid lance** provides easy and firm grip to counter back pressure at the time of in and out movement of nozzle. A nozzle is attached to the end of the lance and the size of the nozzle provides certain pressure depending on the flow rate.

High Pressure Rigid Lance

- ✓ SS construction for long life.
- ✓ Available in various lengths as per requirement.



CONTROL PANEL

A **control panel** is a flat, often vertical area where control or monitoring instruments are displayed. It has many controls like on/off button, Safety Shut-down switch, Voltage and Ampere readings etc....



Electric Control Panel

Electric Control Panel

- ✓ For over and under voltage protection
- ✓ Electric control panel has important and necessary controls like hour meter, volt meter, over load protection, etc.
- ✓ Control panel comes with single phase and short circuit protection

PRESSURE GAUGE

Glycerin Filled Pressure Gauge, ideal for dampening the effect of pulsation and vibration. Widely demanded, it has a stainless steel case filled with glycerin to offer protection against harsh environments. It enhances the integrity and reliability of measuring system for long periods under extreme operating condition.

Note: - Available in various size as per requirement.



Pressure Gauge

- ✓ Approx. 2 times pump operating pressure
- ✓ Glycerin filled
- ✓ Easy to read dial
- ✓ With needle valve

SAFETY SUIT

Safety Suit design with Rugged and Lightweight , Water jet operators appreciate the comfortable and easy-to-replace, hinged-panel design of lightweight TurtleSkin WaterArmor. The modular design allows any of the 19 individual components to be easily removed and replaced using common tools. The replacement of one or two individual parts is far less costly than the expense of purchasing a whole new suit.



Safety Suit

- ✓ For Protection of operator from high pressure water
- ✓ Essential for safety

TRIGGER OPERATED DUMP GUN

Trigger Operated Dump Gun in high pressure water blasting design with Rugged and Lightweight , Water jet operators appreciate the comfortable and easy-to-replace, hinged-panel design of lightweight TurtleSkin WaterArmor. The modular design allows any of the 19 individual components to be easily removed and replaced using common tools. The replacement of one or two individual parts is far less costly than the expense of purchasing a whole new suit.

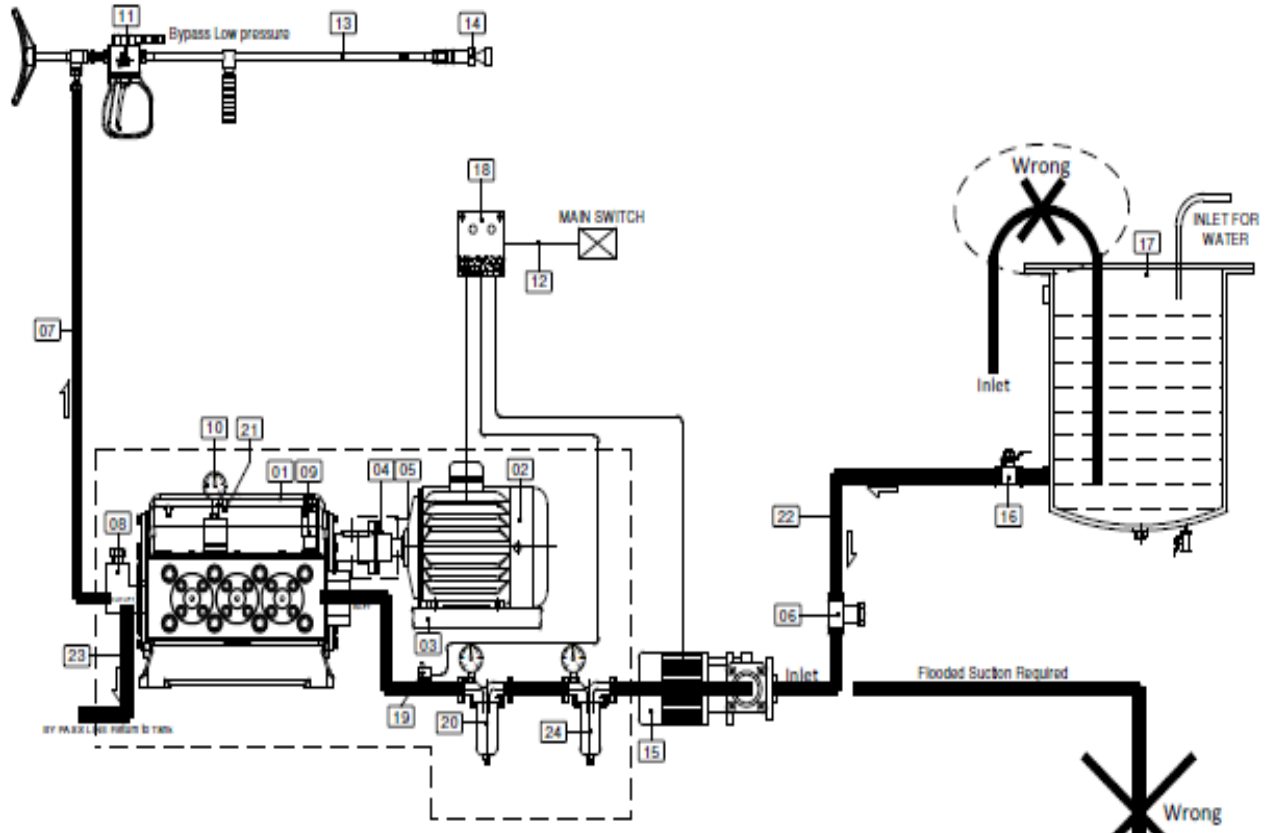


Trigger Operated Dump Gun

- ✓ For Protection of operator from high pressure water
- ✓ Essential for safety

LINE DIAGRAM OF HYDRO BLASTING SYSTEM

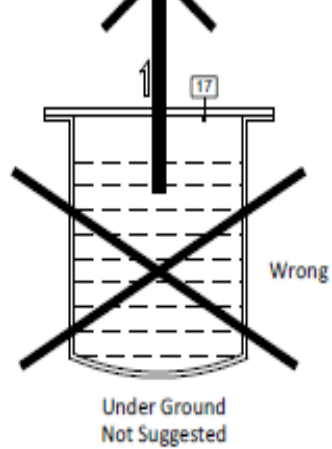
— SUCTON LINE
 — HIGH PRESSURE DISCHARGE LINE
 — BYPASS LINE



NOTE >
 1. Items displayed in this "Schematic Diagram" is for reference only.
 2. For scope of supply, item list as per our offer will be final.

SR NO.	ITEM	SR NO.	ITEM
01	Bare pump (KDD-series)	13	Rigid lance
02	Electric motor / Diesel engine	14	Floating Nozzle - Borecutte
03	Base frame/ Trolley	15	Booster pump
04	Pin bush coupling	16	Low pressure ball valve
05	Coupling guard	17	Water tank
06	Strainer for suction	18	Control panel
07	High pressure hose	19	Pressure switch/low pressure cut off for suction line)
08	Pressure regulating valve	20	Basket Type Strainer - 100 Micron
09	Safety valve	21	Needle valve
10	Pressure gauge - glycoline filled	22	Suction Hose
11	Trigger Operated Dump Gun	23	By Pass Hose
12	Cable	24	Basket Type Strainer - 20 Micron

PressureJet Systems Pvt. Ltd.
 62/13, Phase-I, G.I.D.C., Vatva,
 Ahmedabad 382 445, Gujarat, India.
 Phone: 91-79-25830762
 E-mail : sales@pressurejet.com
 Website: www.pressurejet.com



PARTIAL LIST OF CLIENTS



Important Note: Owing to continuous R & D, technical details and specifications mentioned in this catalogue are liable to change anytime. All rights reserved with PressureJet. For latest Information & more details, please visit our website.

Our Website is fully informative, exhaustive and communicative. It is designed to provide maximum information in most precise form to help our valued customers to take a quick and right decision.



Call Us

+91 93760 22358

+91-79-25830762/ 25893868

Write to us at

sales@pressurejet.com

Visit

YouTube 

www.pressurejet.com

PressureJet

Address

PRESSUREJET SYSTEMS PVT. LTD.

62/13, Phase-1, Vatva GIDC

Ahmedabad – 382 445, Gujarat, India