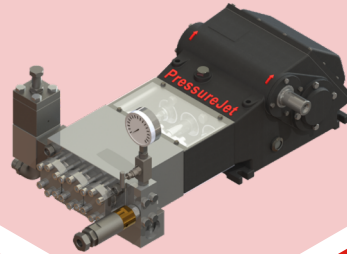
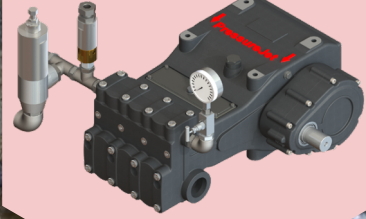
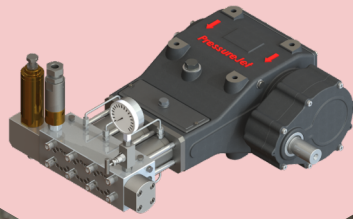


# MARKET LEADER IN THE SEWER JETTING PUMPS



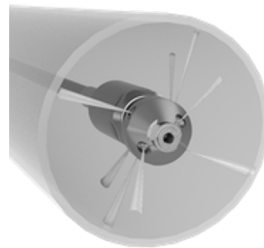
**PressureJet**  
EXPLORE THE WATER POWER

USE THE MOST DEPENDABLE AND  
ECONOMICAL SEWER JETTING PUMP  
AND SAY NO TO MANUAL  
SCAVENGING.

**KD  
Series**

**MADE  
IN  
INDIA**

**WIDEST PRODUCT  
RANGE IN THE MARKET**



**FLOW RATE**  
MIN. **374 LPM** TO  
MAX. **445 LPM**



# ABOUT PRESSUREJET

PressureJet Systems Pvt. Ltd. was established in 1996 in Ahmedabad, India. PressureJet (An ISO 9001:2015 certified company) is a leading manufacturer of high pressure triplex plunger pumps and relevant accessories. These pumps are most suitable for Sewer jetting applications. Today, PressureJet has a work force of more than 100 dedicated people. We have 70,000 Sq. ft. area in Asia's premier industrial estate in Ahmedabad. Out of which, 38,000 Sq. ft. area has been allocated for manufacturing activities.



## DESIGN & DEVELOPMENT



PressureJet has an in-house Design & Development Department that continues strives to design pragmatic and cost-effective solution that fulfil customer's needs. It is equipped with six separate workstation with licensed modelling tools like SolidWorks 3-D software and has machine design analysis capabilities.

The Design and Development department of PressureJet is highly passionate about innovation and creating cutting edge products for clients. We have a team of highly qualified and passionate individuals who are always ready and eager to resolve any customer issues. This, along with our state-of-the-art infrastructure makes for one of the most advanced and dedicated Product Development department in the industry.

## BARE PUMP ASSEMBLY

We don't simply talk about engineering, we put it in action, and this reflects in every aspect of our business. High pressure pumps are similar to engines in a lot of ways and should ideally have a dust free assembly shop, like the one at PressureJet. Ours is the only engineering company, after Toyota and Ford Motors, to use the highly sophisticated and very accurate Atlas Copco CNC Torque Wrench to assemble the pumps. In addition, we have developed in house some very special and highly accurate fixtures that ensure highly accurate assembly of pumps.





# PRODUCTION FACILITY

The high-pressure pump manufacturing process requires manufacturing extremely high-quality components, at comparatively low volume.



Further, the high-pressure pump mechanism is similar to an engine and has a crank-shaft, connecting rod, crank-case etc... And it converts rotary motion into reciprocating motion similar to an automobile engine. This necessitates use of components that have very high dimensional accuracy/smooth surface finish.



Today, PressureJet has world-class, state-of-the-art, highly accurate and extremely Rugged branded machinery that ensure consistent manufacturing of very high precision critical components of high pressure pumps, which are at par with international quality. But then again, unlike most of other manufacturers, we don't want you to take us at face value. Adjectives can barely scratch the surface of what we do here at PressureJet. We are engineers, and we deal in facts and figures.

# QUALITY CONTROL



PressureJet is equipped with the most advanced quality checking equipment among all high pressure plunger pump manufacturers in India. This enables the company's quality to stand head and shoulders above competitors. PressureJet believes in maintaining international Quality standards for its products.

To the end, the company has invested over INR 10 million in establishing its Quality Checking department and checks all critical precision engineering components of the pumps in a controlled environment. It currently uses 257 sophisticated and different quality checking instruments across the entire manufacturing process-right from procurement of raw materials to final inspection and testing of pumps before dispatch.

PressureJet is the only High Pressure-Pump manufacturing company in India that has the highest number of quality checking instruments that are procured, maintained and regularly used to ensure.

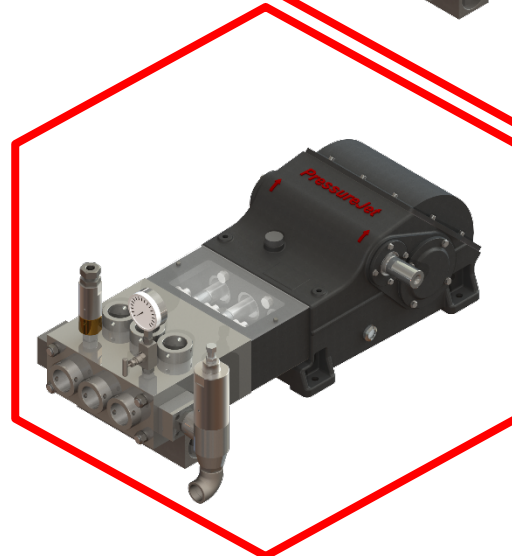
# SALIENT FEATURES

- Pump head is specifically made from spheroidal cast iron for better life.
- Manufactured using state of the art production facilities.
- Designed to perform under heavy duty application & able to provide intermediate duty performance options.
- Better weight optimization
- Self-splash lubrication system
- Build for ease of maintenance
- Power input mounting can be equipped both side of the pump.
- Features arrangement for input shaft location at several degrees for enhanced mounting flexibilities.
- Compatible with inbuilt gear, belt & hydraulic motor driven system mechanism for power supply.
- Integrated cooling system for unmatched performance under long working hours.
- Full tested against severe odds to match the customer requirements all over the globe.

## PUMP

### SPECIFICATION

- Plunger Stroke : 105 mm
- Maximum Plunger Speed : 1.57 m/sec.  
@435 spm & 1.75 m/sec. @500 spm
- Plunger Force : 39.98 KN
- Required Inlet Pressure : 3 to 4 Bar
- Inlet Connection : 3" BSPF
- Outlet Connection : 1 ½ " BSPF
- Working Fluid Temperature : 5 °C to 43 °C
- Oil Capacity : 12 Liter
- Oil Grade :- Gear oil 220

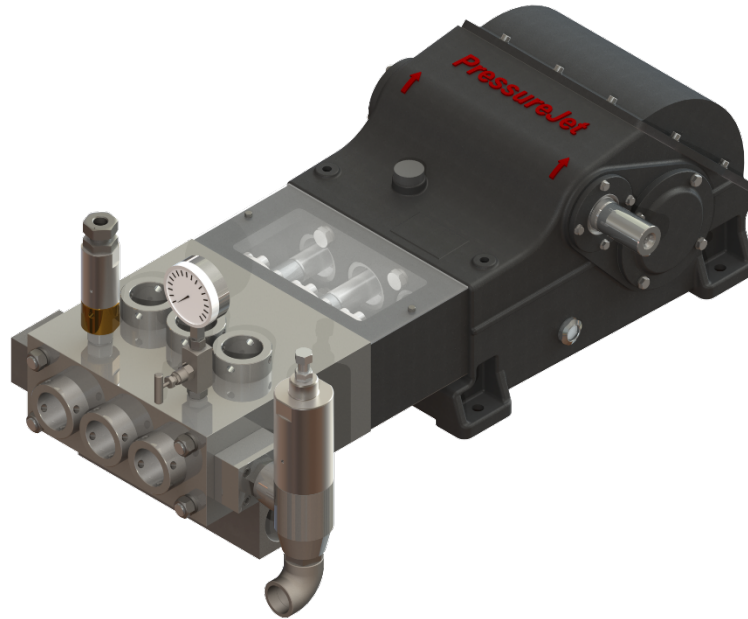




# MODEL

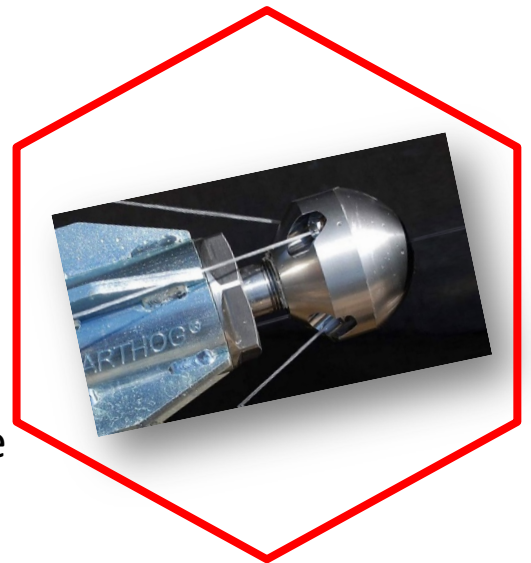
## SELECTION CHART

PUMP SERIES	MODEL	PUMP SPEED	FLOW RATE IN LPM	PRESSURE IN BAR (ENGINE H.P.)		
KD	KDC 55	500	374	210 (244)	185 (216)	155 (180)
	KDC 60		445	180 (248)	155 (213)	130 (180)



## SEWER JETTING APPLICATION

- Cleaning large sewage line.
- Removing giant clogged in the drainage line.
- Maintaining the drainage system & gutter lines.
- For removing the deposited scale in the drainage.
- For providing a clean & hygienic maintenance
- Efficient & Effective



# CROSS SECTIONAL VIEW

## PISTON/CROSS HEAD

Grey Iron & Stainless Steel: Alloy casting piston & stainless steel piston rod are hardened & super finish surface.

## PLUNGER SEAL

Special Teflon base high-pressure seal molded for high compressive & tensile strength ensure effective sealing.

## COMPLETE VALVE INTERNAL (VALVE ASSEMBLY)

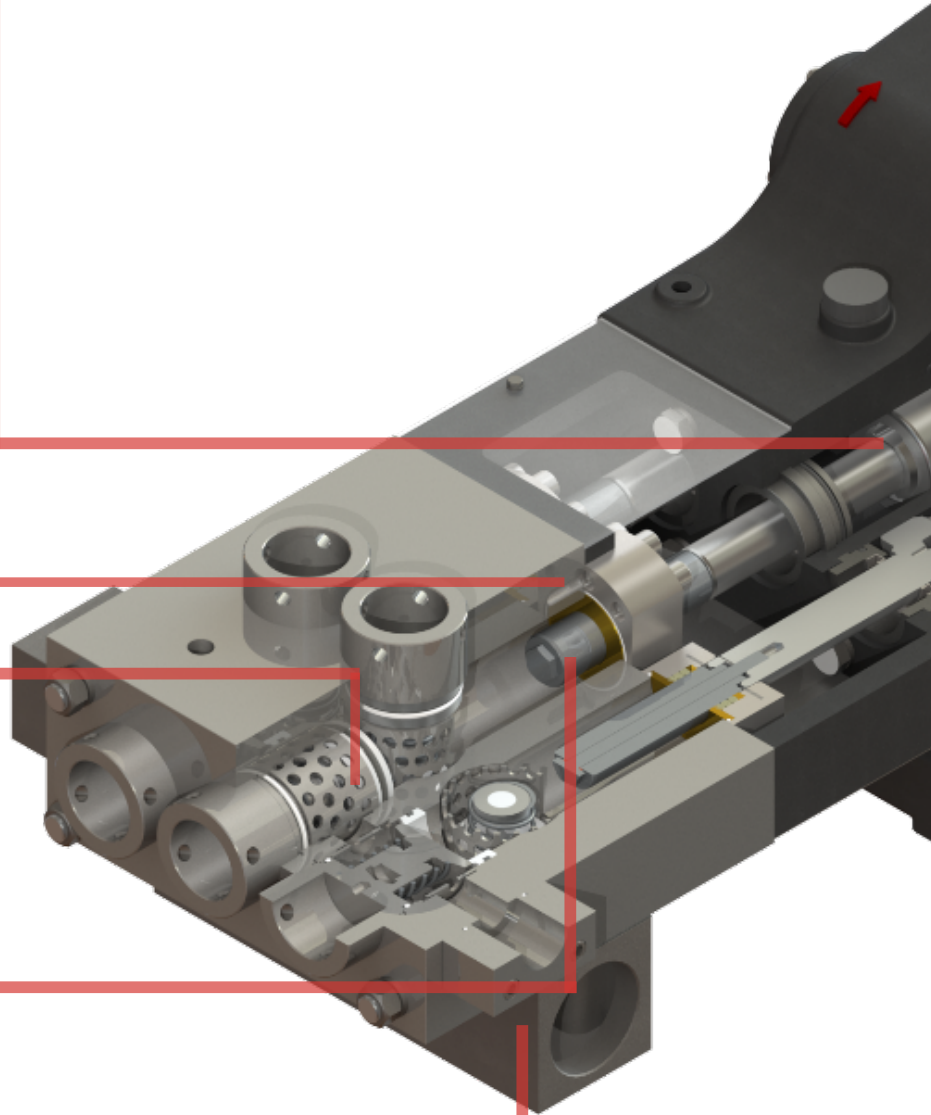
Stainless Steel: Valves made of stainless steel for hardened & anti corrosion hard surface coated for long life. High volumetric efficiency valves operate at 95% plus efficiency.

## PLUNGER

Primarily composed of Tungsten coated. Surface roughness is extremely good for long life of the plunger seal i.e. <0.2 Ra.

## PUMP HEAD

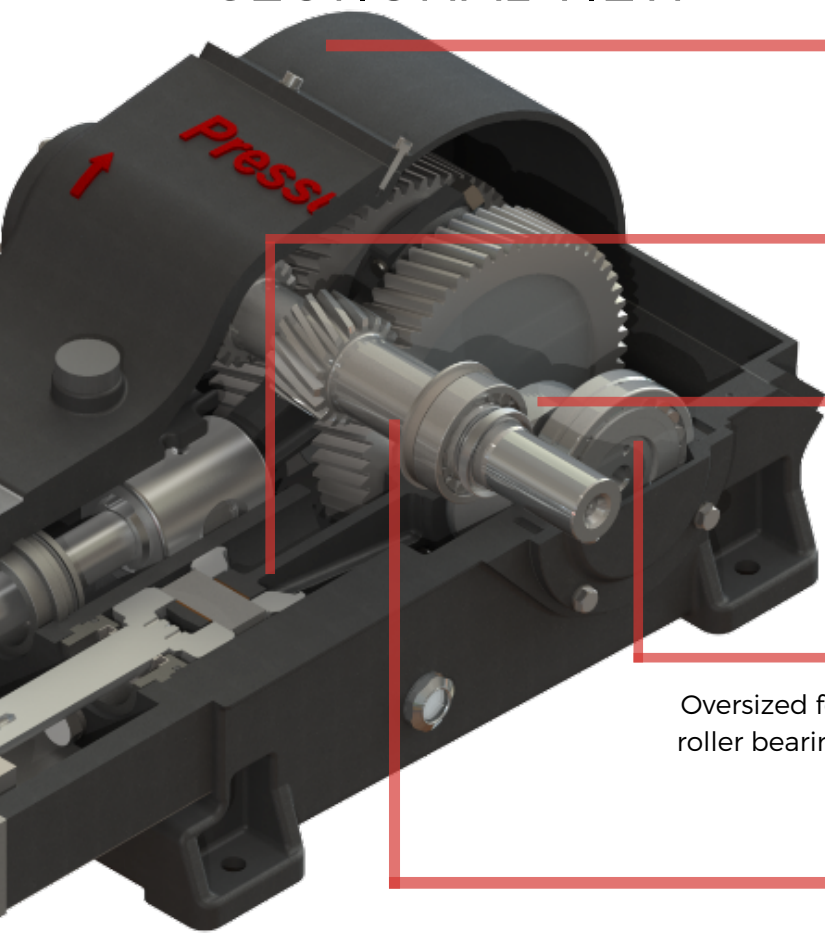
Pump Head made of high Resistance, forged Stainless steel heat treated with chemical and UT tested.





# CROSS

## SECTIONAL VIEW



### CRANK CASE (MAIN BODY)

Grey Iron: Main body in grey iron casting FG-260 with Honned surface finish bore.

### CONNECTING ROD

Alloy Steel: Helical gear is nitride hardened and precision ground for extremely long life & durability.

### CRANKSHAFT

Alloy Steel: Crankshaft is made of nitrated, hardened and precision ground for extremely long life and durability.

### BEARING

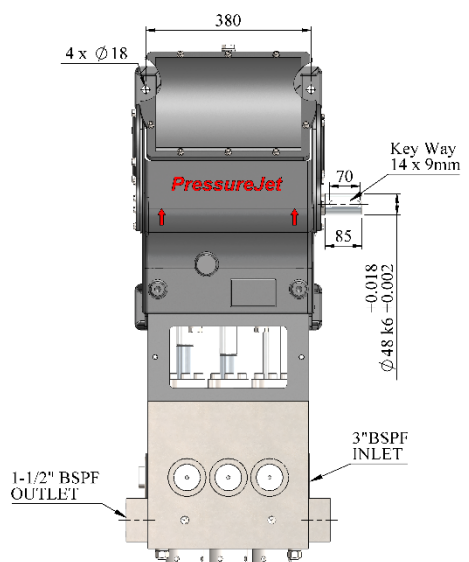
Oversized for maximum life and load disbursement. Self-alignment roller bearing enable it to handle 26% more load than other pumps.

### INBUILT HELICAL GEAR BOX

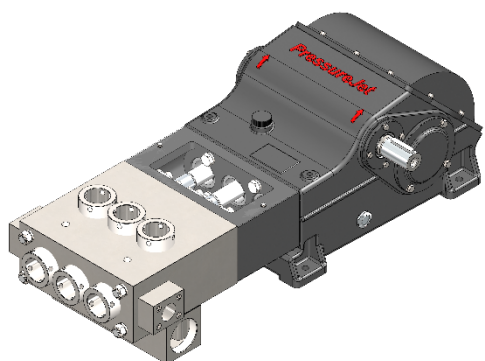
Alloy Steel: Helical gear is nitride hardened and precision ground for extremely long life & durability.

# VA-SERIES

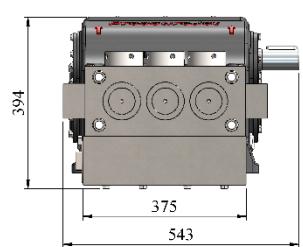
## GENERAL ARRANGEMENT DRAWING



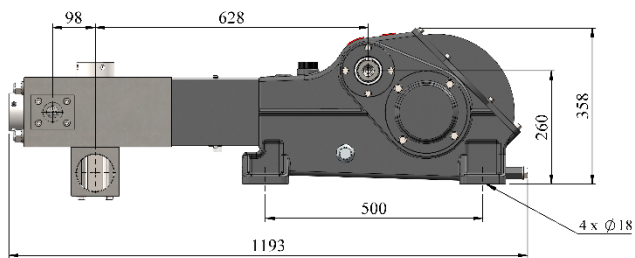
KDC BARE PUMP TOP VIEW



KDC BARE PUMP



KDC BARE PUMP FRONT VIEW



KDC BARE PUMP SIDE VIEW

NOTE: All dimensions are in mm..

# ACCESSORIES

## PRESSURE REGULATING VALVE



REGULATE OUTPUT PRESSURE AS REQUIRED  
BYPASS EXCESS WATER

## SCREEN FILTERS



SCREEN FILTERS USED FOR FILTER WATER

## WG & WD CLASSIC NOZZLE



CONNECTION:- 1" OR 1-1/4" NPT / BSPP  
INLET  
FLOW RATE:- 303-454 LPM  
PRESSURE:- 83-345 BAR

## WGR MAGNUM



CONNECTION:- 1" OR 1-1/4" NPT OR  
BSPP  
PRESSURE:- 83-345 BAR  
FLOW RATE:- 189-303 LPM  
EXTENDED LIFE, REDUCED DOWNTIME

## WH CLASSIC NOZZLE



CONNECTION:- 1/2" OR 3/4" NPT OR BSPP  
INLET  
FLOW RATE:- 38-189 LPM  
PRESSURE:- 83-552 BAR  
DESCALING HEAD AVAILABLE

## WS CLASSIC NOZZLE



CONNECTION:- 1/2" NPT / BSPP INLET  
FLOW RATE:- 30-76 LPM  
PRESSURE:- 83-345 BAR  
WHIP HOSE, JOINTED INLET AND DIRECT CONNECTION  
AVAILABLE



## **IMPORTANT NOTE:**

OWING TO CONTINUOUS R & D, ANY TECHNICAL DETAILS & SPECIFICATIONS MENTIONED IN THIS CATALOG ARE LIABLE TO CHANGE ANYTIME. ALL RIGHTS RESERVED TO PRESSUREJET. FOR LATEST INFORMATION & MORE DETAILS, PLEASE VISIT OUR WEBSITE.

OUR WEBSITE IS FULLY INFORMATIVE, EXHAUSTIVE, AND COMMUNICATIVE. IT IS DESIGNED TO PROVIDE MAXIMUM INFORMATION IN THE MOST PRECISE FORM TO HELP OUR VALUED CUSTOMERS TO TAKE A QUICK AND RIGHT DECISION.

**CALL US ON**

**+91 93760 22358**

**+91-79-25830762/ 25893868**

**OR WRITE TO US AT**

**[sales@pressurejet.com](mailto:sales@pressurejet.com)**

**OR VISIT AT YOUTUBE**

**[PressureJet YouTube.](#)**

**[www.pressurejet.com](http://www.pressurejet.com)**

**ADDRESS**

**PRESSUREJET SYSTEMS PVT. LTD.**

**62/13, PHASE-1, VATVA GIDC**

**AHMEDABAD – 382 445, GUJARAT, INDIA**